

# Measuring Guide Awing Ramp



Date:

Company:

First Name:

Last Name:

Phone:

Email:

If you are inquiring on behalf of a client or third party who will be paying for and receiving the order, please complete the following information with the client/third party details.

## Billing Information

Bill to Company/Full Name:

Address:

Suburb:

State:

Post Code:

Phone:

Email:

## Delivery Information

Same as Billing Information

Deliver to Company/Full Name:

Address:

Suburb:

State:

Post Code:

Phone:

Email:

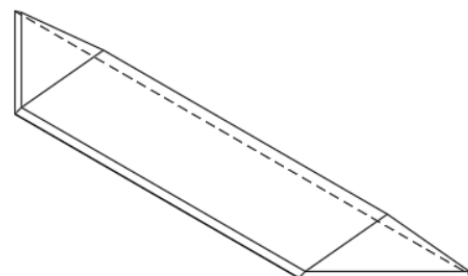
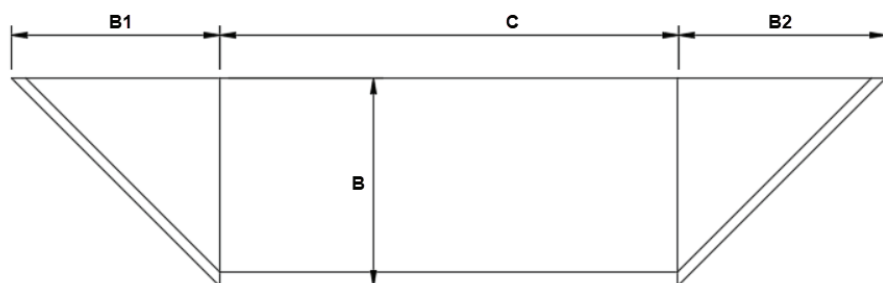
## Additional Information

*This form must be completed and submitted with page 2*

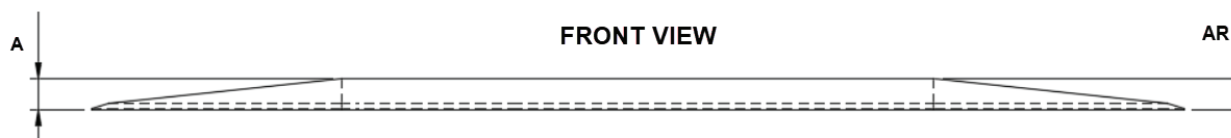
# Measuring Guide Awing Standard



TOP VIEW



FRONT VIEW



## Ramp Height (A/AR)

A = Left Ascending

A/R = Right Ascending

## Ramp Length (B)

Measured back  
to front

## Ramp Width (C)

Measured left  
to right

## Left Wing Width (B1)

Wing width from left edge  
of ramp

## Right Wing Width (B1)

Wing width from right  
edge of ramp

## Ramp Measurements

All measurements to be in millimetres

### Ramp

Wing:

A (Left Ascending) =

A/R (Right Ascending) =

B (Length) =

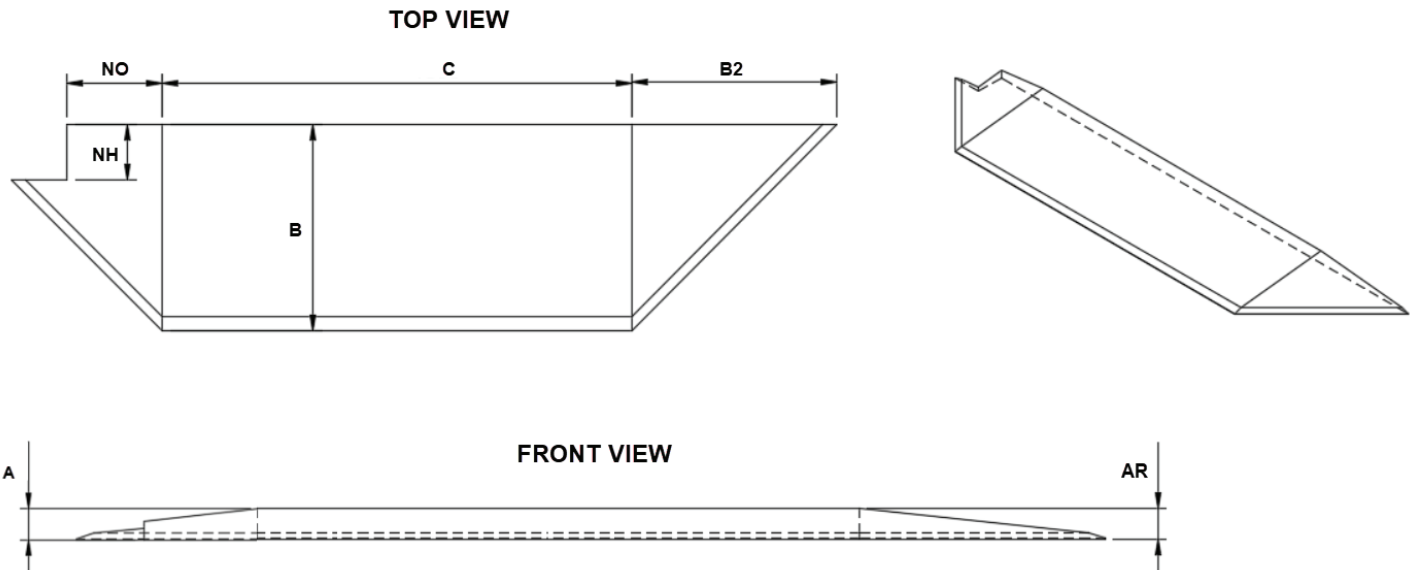
C (Width) =

B1 (Left Wing Width) =

B2 (Right Wing Width) =

*This form must be completed and submitted with page 1*

# Measuring Guide Awing Notched



**Notch Height (NH)**

Notch Length

**Notch Offset (NO)**

Offset Width

## Ramp Measurements

All measurements to be in millimetres

Wing:

A (Left Ascending) =

A/R (Right Ascending) =

B (Length) =

C (Width) =

B1 (Left Wing Width) =

B2 (Right Wing Width) =

NH (Notch Length) =

NO (Offset Width) =

*This form must be completed and submitted with page 1*