

# Measuring Guide Wings



Date:

Company:

First Name:

Last Name:

Phone:

Email:

If you are inquiring on behalf of a client or third party who will be paying for and receiving the order, please complete the following information with the client/third party details.

## Billing Information

Bill to Company/Full Name:

Address:

Suburb:

State:

Post Code:

Phone:

Email:

## Delivery Information

Same as Billing Information

Deliver to Company/Full Name:

Address:

Suburb:

State:

Post Code:

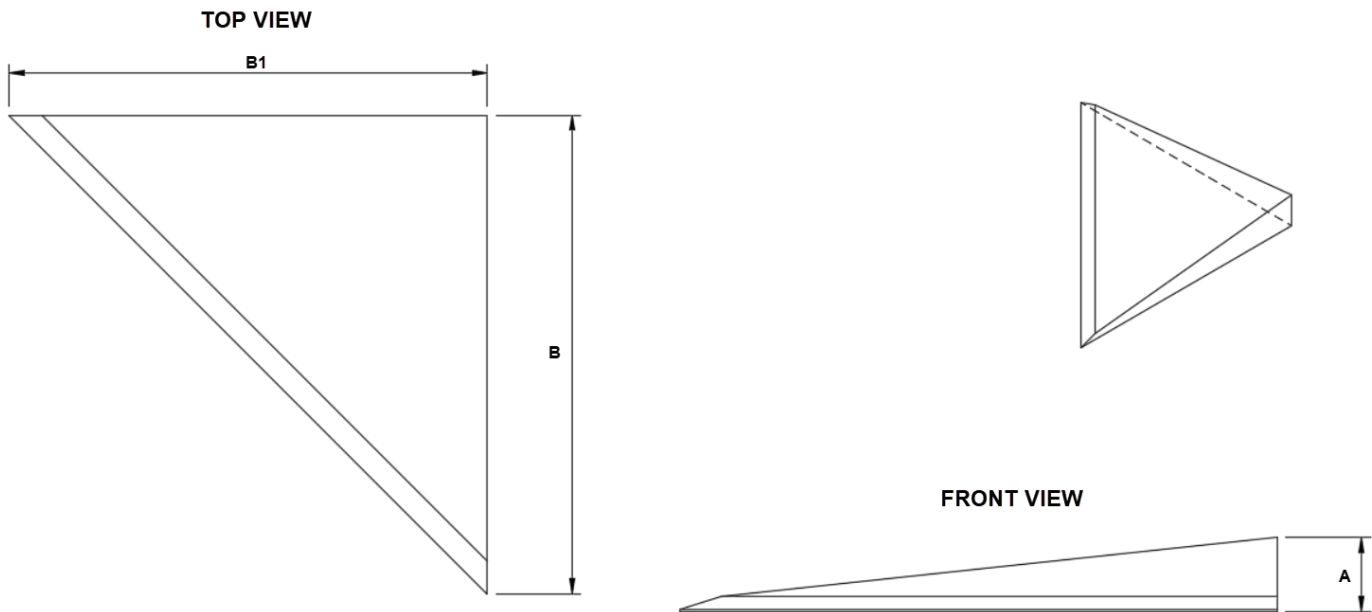
Phone:

Email:

## Additional Information

*This form must be completed and submitted with page 2 and 3*

# Measuring Guide Wing Standard



## Wing Height (A)

Same height as  
ramp

## Wing Length (B)

Same length as  
ramp

## Wing Width (C)

Measured left  
to right

## Wing Measurements

All measurements to be in millimetres

If you require wings at a height of 30mm or under, this will be an awing product.

### Wing 1

Wing:

A (Height) =

B (Length) =

C (Width) =

### Wing 2

Wing:

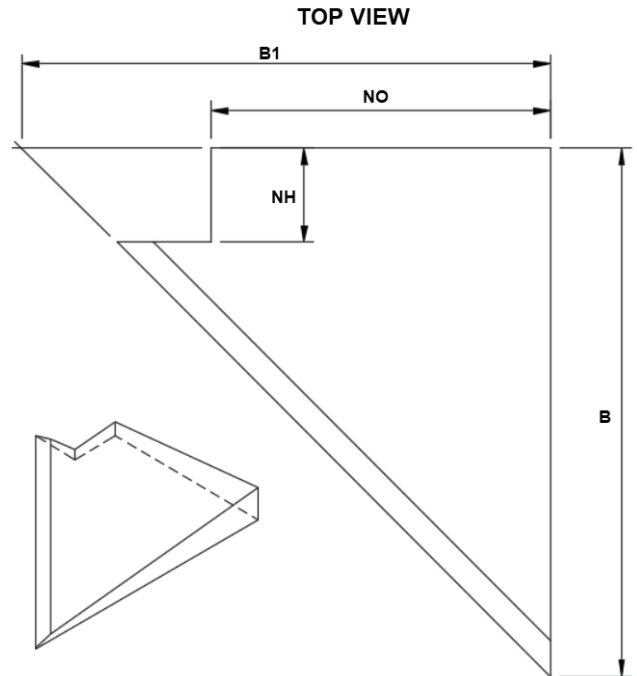
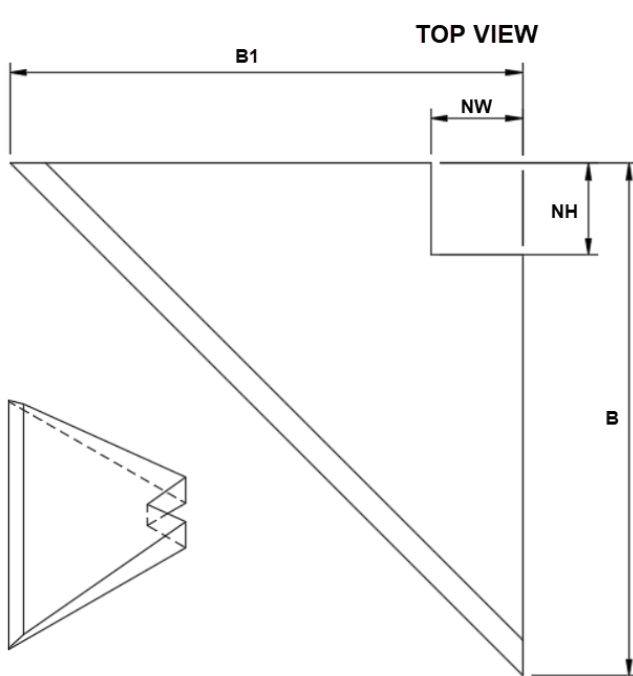
A (Height) =

B (Length) =

C (Width) =

*This form must be completed and submitted with page 1*

# Measuring Guide Wing Notched



**Notch Height (NH)**

Notch Length

**Notch Width (NW)**

Notch Width

**Notch Offset (NO)**

Offset Width

## Wing Measurements

All measurements to be in millimetres

### Wing 1

Wing:

A (Height) =

B (Length) =

C (Width) =

NH =

NW (Notch Width)=

or NO(Offset Width)=

### Wing 2

Wing:

A (Height) =

B (Length) =

C (Width) =

NH (Notch Length)=

NW (Notch Width)=

or NO(Offset Width)=

*This form must be completed and submitted with page 1*